



**VALVE REGULATED  
LEAD ACID BATTERY (V.R.L.A.)**



**ADVANCED ABSORBED GLASS  
MAT TECHNOLOGY (A.G.M.)**



**10 YEAR DESIGN FOR UPS AND  
STANDBY APPLICATIONS**



**Features**

- Flame-retardant polypropylene case and cover compliant with UL94 V-0 with an Oxygen Limiting Index of greater than 28%.
- Gas recombination greater than 99%.
- Operates at a low internal pressure.
- Never needs watering, minimal maintenance.
- 99.7% pure lead, calcium alloy grids.
- Shock absorbent thick wall polypropylene cases.
- Cold forged non-porous terminal bushings, eliminate post leakage.
- Thermally welded case to cover bond, eliminates both acid and electrical leaks.
- Over-sized, through the partition inter-cell welds provide low resistance connections, with minimal power loss.
- Flame arresting, low pressure safety release venting system for individual cells, recognized per U.L.924.
- Compliant with BS6290 Part 4 and IEC 896-2.
- Measured high vacuum acid fill, reduces electrical variability between cells.
- 100% recyclable materials.

**Options**

- Terminal covers.
- Inter-connecting battery cables.
- Warranty extensions.
- Open, Cladded Rack and Cabinet options.

**Specifications**

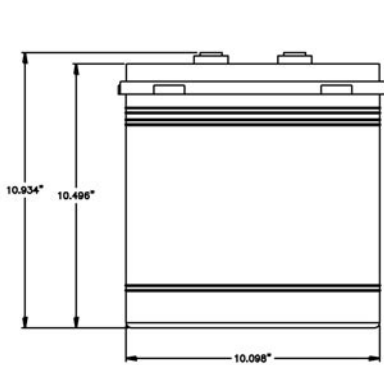
Cells per unit	3
Nominal voltage	6
Terminal type	1/4" Stud
Maximum discharge current	987 amps
Short circuit current	5750 amps
Impedance @ 77°F 25°C	1.20 milliohms
Weight lbs / kgs	76.3 / 34.6
Electrolyte (S.G.)	1.300
Capacity @ 77°F (25°C) to 1.75 V.P.C.	208.0 AH (20 hrs) 182.4 AH (8 hrs)
Ideal operating temperature range	+68°F (+20°C) to +77°F (+25°C)
Extended operating temperature range	Discharge: -40°F (-40°C) to +140°F (+60°C) Charge: -40°F (-40°C) to +122°F (+50°C)
Float Voltage	13.5 to 13.8 @ 77°F (25°C)
Maximum charging current	C/4 amperes at 100% discharge Unlimited at partial discharge.
AC ripple from charging source	1.5% peak to peak of float charge voltage
Storage	6 months at 77°F (25°C)

**No transport restrictions**

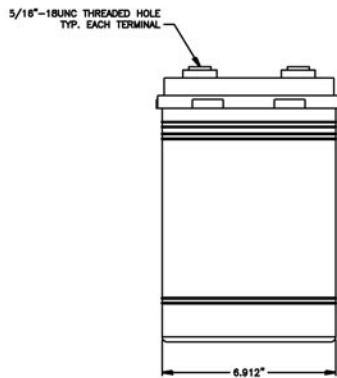
- Surface transport. Classified as non-hazardous material as relates to DOT-CFR Title 49 part 171-189.
- Maritime transport. Non hazardous as per IMDG amendment 27.
- Air transport. Non hazardous complies with IATA / ICAQ, special provision A67.

**DISCHARGE SPECIFICATIONS**

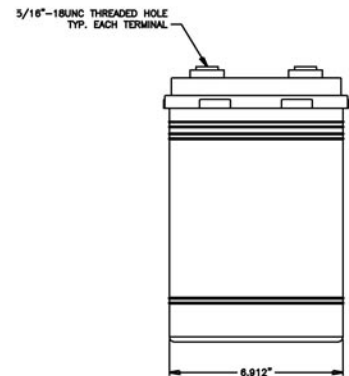
Constant power ratings, Watts per battery @ 77°F (25°C) in minutes										
Final V.P.C.	5	10	15	20	30	40	45	50	60	90
1.60	3220	2399	1901	1593	1229	1004	931	858	755	551
1.67	3019	2292	1856	1562	1203	984	912	841	740	543
1.70	2916	2245	1823	1544	1188	972	902	832	733	537
1.75	2742	2071	1759	1506	1164	961	893	825	724	532



FRONT VIEW



END VIEW



Power Battery offers an extensive line of pre-wired and fused battery cabinets. Standard and custom DC voltages complete with breakers and chargers are available.



KS3 Cabinet Model



Open Rack



Cladded Rack

**Constant current ratings, Amperes @ 77°F (25°C) in hours**

Final V.P.C.	1	2	3	4	5	6	8	10	12	24
1.75	125	72.4	52.5	41.3	34.1	29.2	22.8	18.8	16.1	8.90
1.80	119	70.0	50.6	39.6	32.7	28.0	21.9	18.1	15.4	8.40
1.85	111	66.6	48.1	37.8	31.2	26.8	21.0	17.2	14.7	8.00
1.90	100	61.3	44.4	35.3	29.4	25.4	20.0	16.4	14.0	7.60

**U.S.A.**  
Power Battery Company, Inc.  
25 McLean Blvd.  
Paterson, N.J. 07514-1507  
Phone: (973) 523-8630  
Fax: (973) 523-3023  
E-mail: sales@powbat.com  
Web page: www.powerbattery.com

**CANADA**  
Power Battery (Iberville) Ltd.  
770 Thomas Ave.  
Iberville, Québec, J2X 5E7  
Phone: (450) 346-3273  
Fax: (450) 346-8003  
E-mail: powerbat@sympatico.ca  
Web page: www.powerbattery.com

**UK**  
Power Batteries Ltd.  
Premier Way, Abbey Park Industrial Estate  
Romsey, Hampshire, SO51 9AQ  
Phone: +44 (0)1794 835900  
Fax: +44 (0)1794 835910  
E-mail: sales@powbat.co.uk  
Web page: www.powbat.co.uk

**ITALY**  
Power Battery Srl  
Via Locatelli 105  
20046 Biassono MI - ITALY  
Phone: +(39) 039 2324571  
Fax: +(39) 349 2499200  
E-mail: calberti@powbat.it  
Web page: www.powbat.it