

FIAMM

Industrial Batteries

FGHL

series



12FGHL28

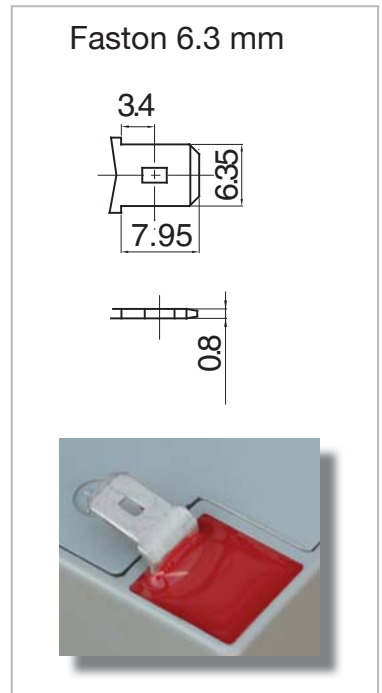
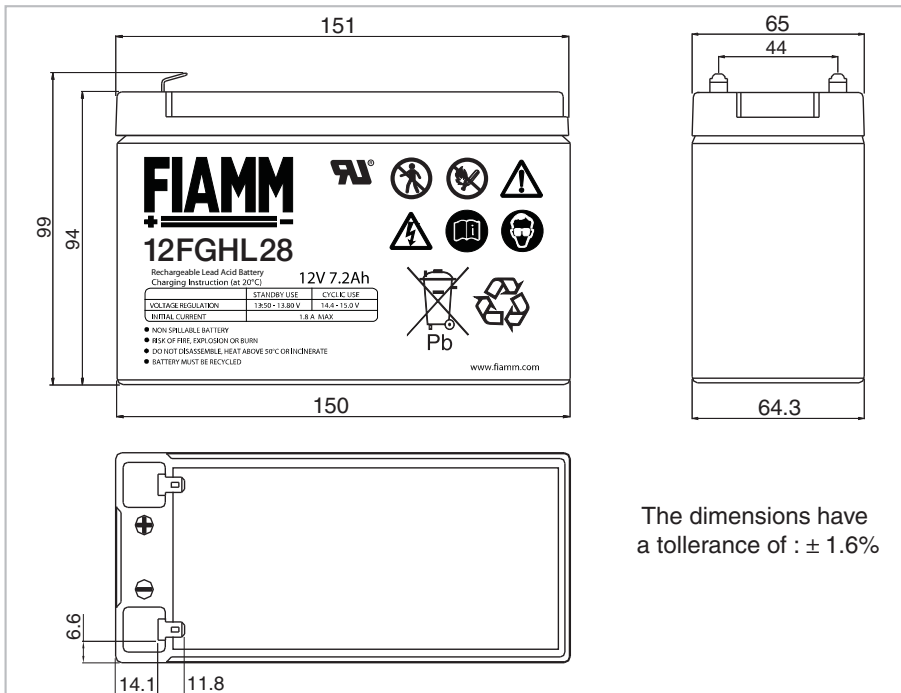
12 Volt 7.2 Ah

12FGHL28 is specially designed for high efficient discharge application. It is a high power density range with a design life of 10 years. FIAMM is a Manufacturer of VRLA batteries and is supported by a dedicated sales network with market knowledge and experience of small sealed lead acid battery applications.

SSLA Products

Features

Nominal Voltage	12 Volt
Nominal Capacity	26.7 W @ 15 min-rate to 1.6 Vpc at 25 °C 7.2 Ah 20 hours rate to 1.75 Vpc at 25 °C
Float charging voltage	13.50 - 13.80 V/bloc at 25 °C
Boost charge voltage	14.40 - 15.00 V/bloc at 25 °C
Float voltage compensation	-18mV/°C
Maximum charging current	1.8 A
Case	ABS UL94V-0 (flame retardant plastic)
Internal resistance	24.6 mΩ in full charged condition
Weight	2.65 kg
Dimensions	L x W x H (TH): 151 x 65 x 94 (99)
Operative temperature range	-20 °C to 50 °C
Shelf life procedures	As batteries lose part of their capacity, during storage, due to self discharge. Fiamm recommends FGHL range of batteries can be stored for 6 months at an ambient temperature of 20 and 25 °C (see attached graph on reverse). Longer storage requires a recharge. This should be carried out in line with Fiamm recommended method; 2.4 V/cell for no longer than 24 hours at 20 °C



FGHL series

12FGHL28
12 Volt
7.2 Ah

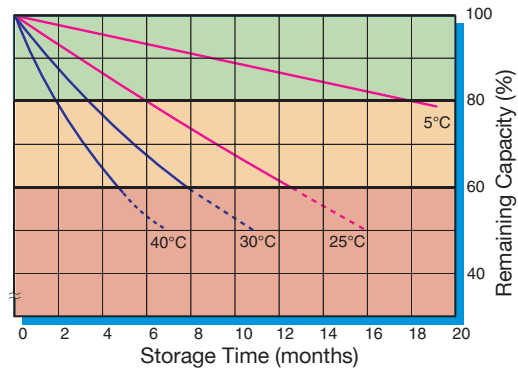


Capacity loss during storage at various temperatures

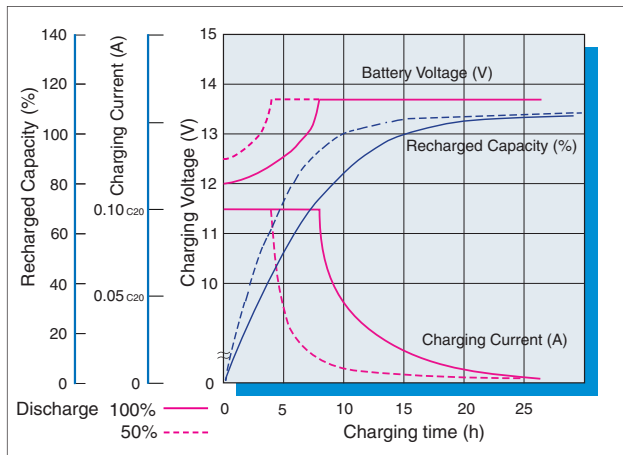
The battery can be used without refreshing charge

Refreshing charge at 2.4 Vpc for 24 hours (at 20-25°C) must be applied as soon as possible.

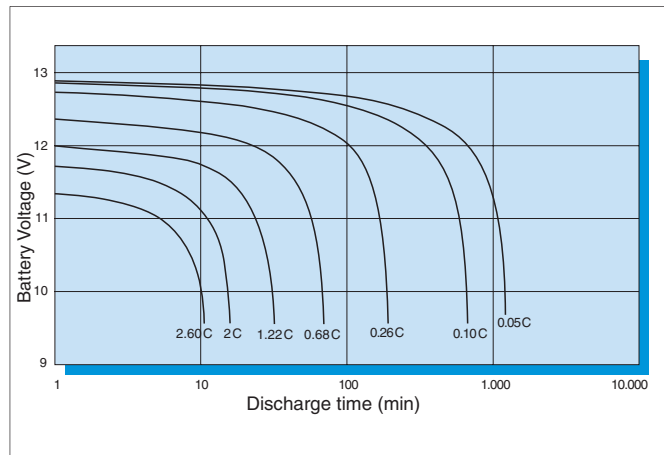
Refreshing charge of 2.4 Vpc may be insufficient to recover the battery capacity. It is important to avoid this area



Battery Voltage and Charge Time for Standby Use (at 25°C)



Discharge curves at different current / final voltage (at 25°C)



Costant Current discharge table (Amperes)

End voltage	5 min	10 min	15 min	20 min	30 min	45 min	1 hour	2 hrs	3 hrs	5 hrs
9.60 V	30.8	20.5	15.3	12.4	9.03	6.57	5.25	2.96	2.13	1.39
9.90 V	29.8	20.0	15.0	12.1	8.92	6.49	5.19	2.93	2.11	1.37
10.02 V	29.3	19.7	14.9	12.0	8.85	6.46	5.16	2.90	2.09	1.36
10.20 V	28.5	19.4	14.7	12.0	8.79	6.43	5.13	2.88	2.08	1.35
10.50 V	27.4	18.9	14.3	11.7	8.66	6.35	5.07	2.82	2.04	1.32
10.80 V	26.0	18.3	14.0	11.5	8.50	6.23	5.00	2.78	2.01	1.30

Costant Power discharge table (Watts per bloc)

End voltage	5 min	10 min	15 min	20 min	30 min	45 min	1 hour	2 hrs	3 hrs	5 hrs
9.60 V	308	210	160	131	94.8	70.2	56.8	33.8	24.5	16.0
9.90 V	299	207	158	129	93.8	69.6	56.3	33.5	24.3	15.9
10.02 V	295	204	157	128	93.3	69.3	56.0	33.2	24.2	15.8
10.20 V	287	201	155	127	92.8	69.0	55.8	33.0	24.1	15.7
10.50 V	276	196	152	126	91.7	68.5	55.2	32.6	23.7	15.5
10.80 V	264	191	150	124	90.7	67.6	54.7	32.2	23.5	15.3

FIAMM S.p.A.
 Industrial Batteries Business Unit
 SSLA Products
 www.fiamm.com
 e-mail: info.standby@fiamm.com



Industrial Batteries