



FIAMM



FIAMM's **Monolite 12SLA25** valve-regulated, lead-acid battery is specifically designed to meet and exceed the exacting specifications of the Telecommunications industry. This "purpose-built" design philosophy, coupled with industry-leading manufacturing technology, ensures product consistency and reliable performance in a battery ideally suited to Telecommunications applications:

- 12-year plus design life
- Has passed the stringent Telcordia (Bellcore) 10-year accelerated life tests
- Good Energy Density
- Good Low-Rate Performance
- Easy Handling and Installation
- Safe Operation and Ease of Testing
- No Water Addition Needed

The FIAMM **Monolite 12SLA25** battery has a proven track record of exceptional performance in many parts of the network. With its traditional top-terminal design, it is ideally suited for applications utilizing roll-out trays or drawers such as Remote Terminals cabinets, Huts, CEV's, and Central Offices.

Monolite

Model 12 SLA 25

12-volt, 25 Ah

DESIGN FEATURES

- ▶ **Plates and Grids:** extra-thick plates with grids cast from high purity lead-calcium-tin alloy ensure long and reliable life
- ▶ **Separator:** microporous glass mat facilitates recombination and immobilizes the electrolyte
- ▶ **Internal Connections:** heavy-duty internal straps and through-the-partition cell connections minimize internal resistance for increased energy density
- ▶ **Terminals:** threaded post terminals with brass inserts provide for high conductivity and maximum torque retention
- ▶ **Post Seals:** state-of-the-art post seals prevent seepage over a wide temperature range
- ▶ **Safety Valve:** each cell has its own one-way valve that opens at 5 psi and closes at 3 psi to allow excess gas to escape in case of over-charging
- ▶ **Flame Arrestor:** lets excess gas out while preventing any errant spark or flame from entering the battery
- ▶ **Container and Cover:** made from thick-walled ABS plastic and designed for unsurpassed mechanical strength, the cases and covers have an LOI greater than 28% and meet the flame retardancy standards of UL 94 V-0

STANDARDS COMPLIANCE

The 12SLA25 meets the requirements of the following industry standards:

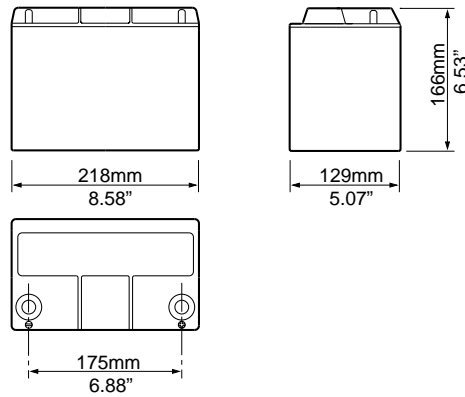
- ▶ ANSI T1.330-1997
- ▶ British Standard BS 6290 Part 4
- ▶ British Standard 6334 method FV0
- ▶ Eurobat Guide - 12 years and longer "long life"
- ▶ IEC 707 FV0
- ▶ IEC 896 Part 2
- ▶ Telcordia (Bellcore) SR-4228
- ▶ Telcordia (Bellcore) TR-NWT-000766
- ▶ Telcordia (Bellcore) TR-NWT-000909
- ▶ Telcordia (Bellcore) TR-NWT-001200
- ▶ UL 1778
- ▶ UL 94 Class V-0
- ▶ UL Recognized

Telecommunications Standby Batteries



Monolite Model 12 SLA 25

1394786
07.02



DISCHARGE AMPERES FOR 12 SLA 25 AT 77°F (25°C)

V/cell	HOURS											
	1	2	3	4	5	6	7	8	10	12	20	
1.65	17.0	9.56	6.85	5.44	4.55	3.96	3.50	3.14	2.59	2.18	1.37	
1.70	16.7	9.47	6.82	5.42	4.53	3.94	3.49	3.13	2.58	2.17	1.36	
1.75	16.3	9.32	6.77	5.39	4.51	3.92	3.47	3.12	2.56	2.16	1.35	
1.80	15.9	9.13	6.70	5.34	4.48	3.90	3.45	3.09	2.54	2.15	1.34	
1.85	15.4	8.72	6.27	5.02	4.25	3.69	3.28	2.94	2.43	2.05	1.29	
1.88	14.9	8.45	6.06	4.82	4.06	3.51	3.10	2.76	2.27	1.92	1.20	

DISCHARGE WATTS PER CELL FOR 12 SLA 25 AT 77°F (25°C)

V/cell	HOURS											
	1	2	3	4	5	6	7	8	10	12	20	
1.65	31.2	17.8	13.0	10.4	8.75	7.61	6.74	6.05	4.96	4.19	2.62	
1.70	31.2	17.8	13.0	10.4	8.74	7.60	6.73	6.04	4.96	4.19	2.62	
1.75	30.8	17.8	13.0	10.4	8.73	7.60	6.73	6.04	4.95	4.16	2.62	
1.80	30.5	17.7	13.0	10.4	8.72	7.59	6.72	6.03	4.95	4.16	2.62	
1.85	30.0	17.1	12.4	9.89	8.37	7.28	6.47	5.81	4.80	4.05	2.55	
1.88	29.2	16.7	12.0	9.56	8.06	6.97	6.15	5.49	4.52	3.81	2.38	

TECHNICAL SPECIFICATIONS

- ▶ **Capacities:** 25 AH at C8 to 1.75 VPC at 25°C
- ▶ **Recommended Float Voltage:** 13.56 V at 25°C
- ▶ **Temperature Compensation:** -15mV/°C
- ▶ **Maximum Charge Current:** 6 A
- ▶ **Self-Discharge at 77°F (25°C):** <2% per month
- ▶ **Short Circuit Current:** 1150 A
- ▶ **Internal Resistance:** 11 mohm
- ▶ **Weight:** 24.91 lb. (11.3 kg)
- ▶ **Terminals:** M8
- ▶ **Terminal Torque:** 65-70 in. lbs (7.3-8.0 Nm)



FIAMM
www.fiammamerica.com

FIAMM Technologies, Inc.
One FIAMM Way
Waynesboro, GA 30830
Tel. 888-77-FIAMM (888-773-4266)