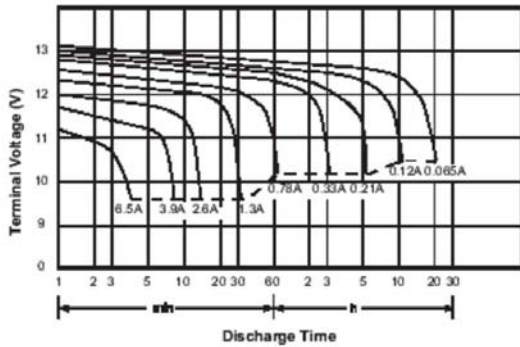


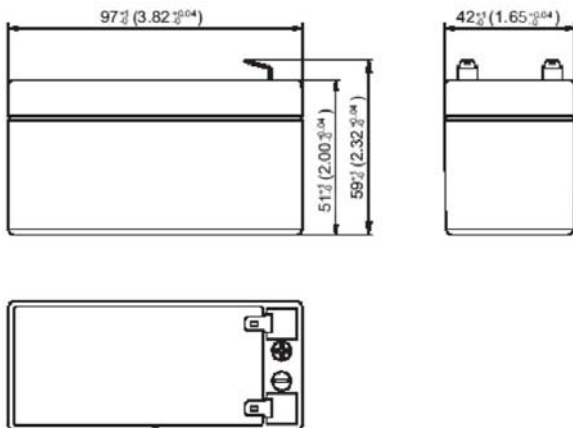
PERFORMANCE SPECIFICATION FOR BATTERY TYPE FG 20121A

Nominal Voltage	12 Volts
Nominal Capacity	at 20 hour rate (60 mA to 10.5 Volts), 1.2 Ah
	at 5 hour rate (210 mA to 10.2 Volts) 1.05 Ah
	at 3 hour rate (310 mA to 10.2 Volts) 0.93 Ah
	at 1 hour rate (730 mA to 9.6 Volts) 0.73 Ah
Dimensions (mm)	Length=97, Width=42, Height=51, TH=59
Approximate weight	0.6 kg
Energy Density	66.39 Wh/l
Specific Energy	28.65 Wh/kg
Internal Resistance (Fully charged battery)	160 mΩ
Maximum discharge current in 5 seconds	12 A
Recommended charging voltage (@20°C)	floating use: 13.5-13.8 V cyclic use: 14.4-15.0 V
Thermal compensation factor	floating use: -18mV/°C cyclic use: -30mV/°C
Maximum charging current	0.3
Terminals	Flat lug type 4.8 mm
Torques	n.a.
Vibration Test	
- (2000 cycles/min, 2,55 mm excursion, 2 hrs)	No loss in capacity or performance
Shelf life - % of nominal capacity at 20°C	1 Month 97%
	3 months 91%
	6 months 83%
Storage temperature	-20°C to 40°C
Operative temperature range	Charge 0°C to 40°C
	Discharge -20°C to 50°C
Case material	Acrylonitrile-Butadiene-Styrene
	Standard Case: according to UL-94 HB
	Also available: according to UL-94 VO
Life expectancy (Stand-by use)	3 to 5 years according to Eurobat standards

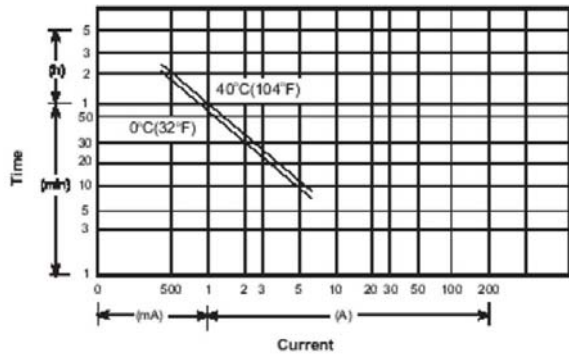
Discharge Characteristics 20 °C (68 °C)



Dimensions mm (inch)



Discharge Current vs Time



Terminal type (mm)
Fast-On 4,8

