

### PERFORMANCE SPECIFICATION FOR BATTERY TYPE FGC 21803

Nominal Voltage	12 Volts
Nominal Capacity	at 20 hour rate (0.90 A to 10.5 Volts), 18 Ah
	at 10 hour rate (1.62 A to 10.2 Volts) 15.5 Ah
	at 5 hour rate (3 A to 10.2 Volts) 14 Ah
	at 1 C (18 A) 9 Ah
Dimensions (mm)	Length=181, Width=76, Height=167, TH=167
Approximate weight	5.85 kg
Energy Density	66.39 Wh/l
Specific Energy	28.65 Wh/kg
Internal Resistance (Fully charged battery)	20.5 mΩ
Maximum discharge current in 5 seconds	180 A
Recommended charging voltage (@20°C)	floating use: 13.5-13.8 V cyclic use: 14.4-15.0 V
Thermal compensation factor	floating use: -18mV/°C cyclic use: -30mV/°C
Maximum charging current	4.5 A
Terminals	Flag 5.5 mm
Torques	n.a.
Vibration Test	
- (2000 cycles/min, 2.55 mm excursion, 2 hrs)	No loss in capacity or performance
Shelf life - % of nominal capacity at 20°C	1 Month 97%
	3 months 91%
	6 months 83%
Storage temperature	-20°C to 40°C
Operative temperature range	Charge 0°C to 40°C
	Discharge -20°C to 50°C
Case material	Acrylonitrile-Butadiene-Styrene
	Standard Case: according to UL-94 HB
	Also available: according to UL-94 VO
Life expectancy (Cyclic use)	3 to 5 years according to Eurobat standards

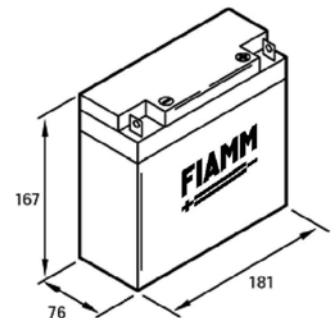
#### CONSTANT POWER DISCHARGE TABLE (WATT)

TIME	5'	10'	15'	20'	30'	45'	1h	2h	3h	5h	10h	20h
1,8V/Cell	540.3	388.6	310.2	261.0	201.1	152.1	123.6	72.7	52.4	34.3	18.9	10.3
1,75V/Cell	583.0	408.3	322.3	269.4	206.1	155.1	125.7	73.6	53.1	34.7	19.1	10.4
1,7V/Cell	628.9	429.0	334.8	278.1	211.2	158.2	127.8	74.6	53.7	35.1	19.3	10.5
1,65V/Cell	654.4	437.2	336.6	280.0	212.0	158.4	128.0	74.8	53.9	35.3	19.4	10.5
1,6V/Cell	680.8	445.5	342.3	282.0	212.7	158.7	128.2	75.0	54.1	35.4	19.5	10.5

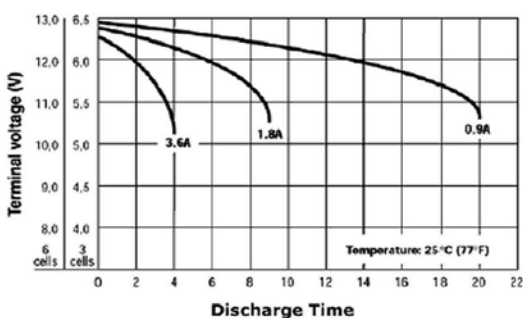
#### CONSTANT CURRENT DISCHARGE TABLE (AMPERE)

TIME	5'	10'	15'	20'	30'	45'	1h	2h	3h	5h	10h	20h
1,8V/Cell	54	37	29	24	18.0	13.5	10.9	6.3	4.5	2.9	1.59	0.90
1,75V/Cell	58	38	29	24	18.3	13.6	11.0	6.3	4.5	2.9	1.60	0.90
1,7V/Cell	62	40	30	25	18.6	13.8	11.0	6.4	4.6	3.0	1.62	0.92
1,65V/Cell	64	40	31	25	18.6	13.7	11.0	6.4	4.6	3.0	1.63	0.93
1,6V/Cell	67	41	31	25	18.6	13.7	11.0	6.4	4.6	3.0	1.65	0.93

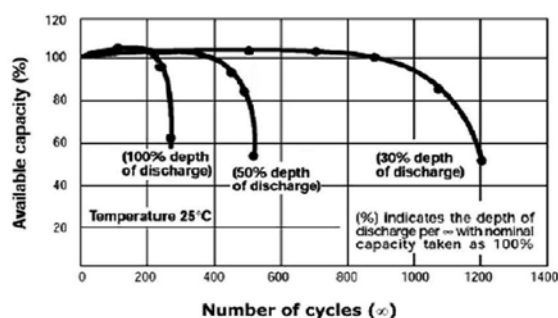
#### Dimensions mm(inch)



#### DISCHARGE TIME VS DISCHARGE CURRENT



#### LIFETIME IN CYCLIC USE



#### Terminal type

